



# Electric scooter manual



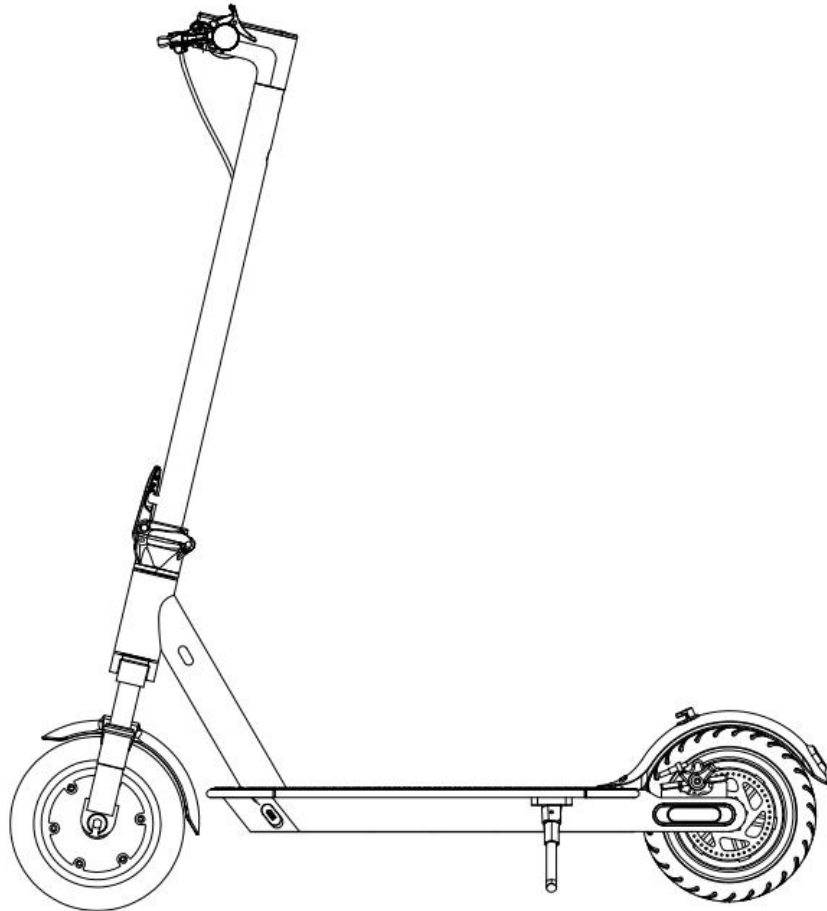
**Thank you for choosing our product. Have fun with your new electric scooter.**

## **Contents**

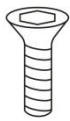
1. The Device & Accessories .....	02
2. Functions .....	03
3. Assembling .....	04
4. Charging .....	05
5. Driving Instructions.....	05
6. Safety Recommendations .....	07
7. Folding & Transportation .....	09
8. Daily Maintenance and Storage.....	10
9. Tire Replacement.....	12
10.Specifications .....	13

# 1 The Device & Accessories

Vehicle



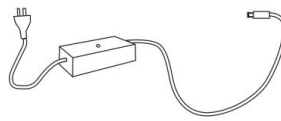
Accessories



Screws x 4



Hex Wrench

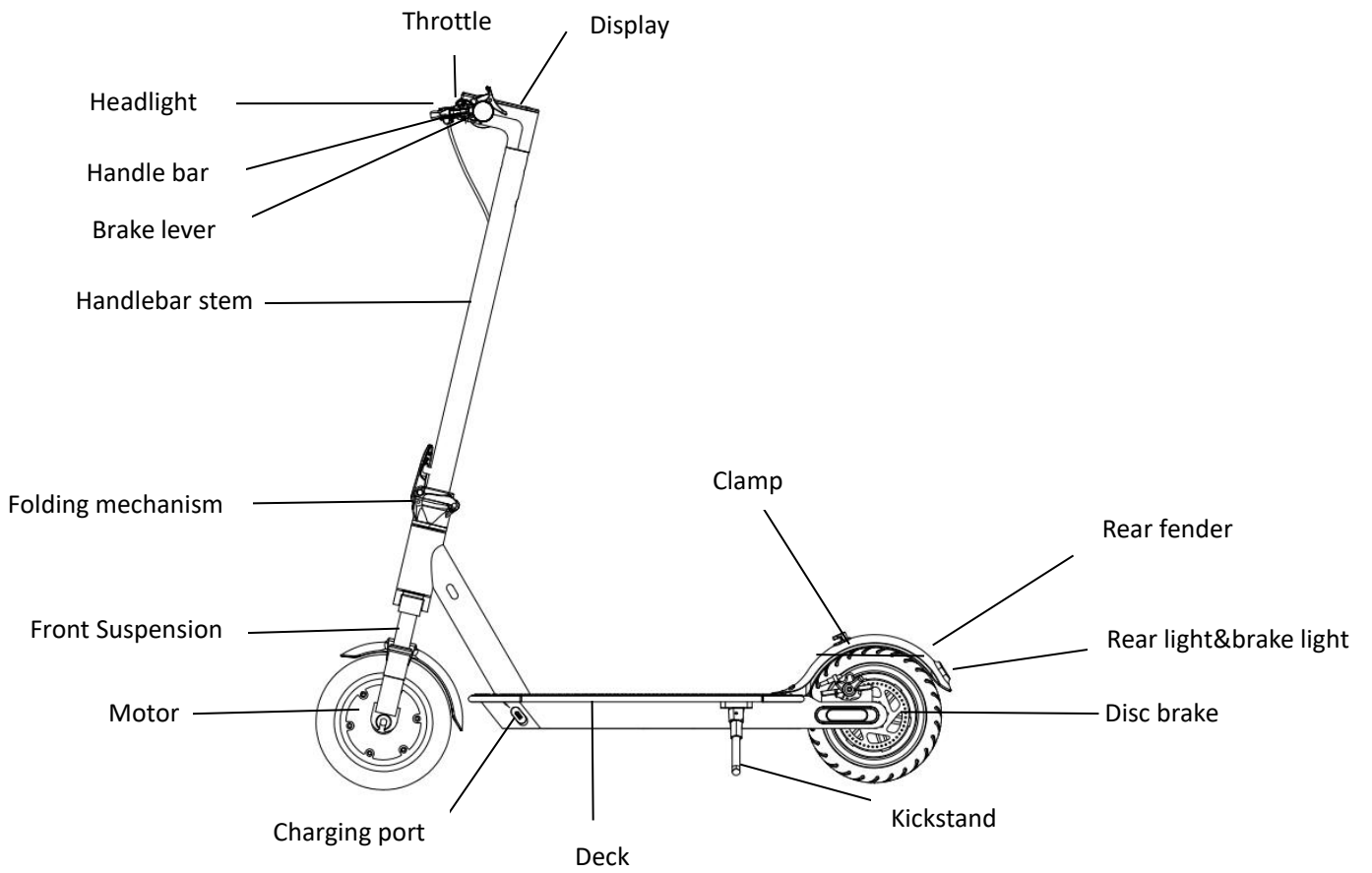


Charging Adapter x 1

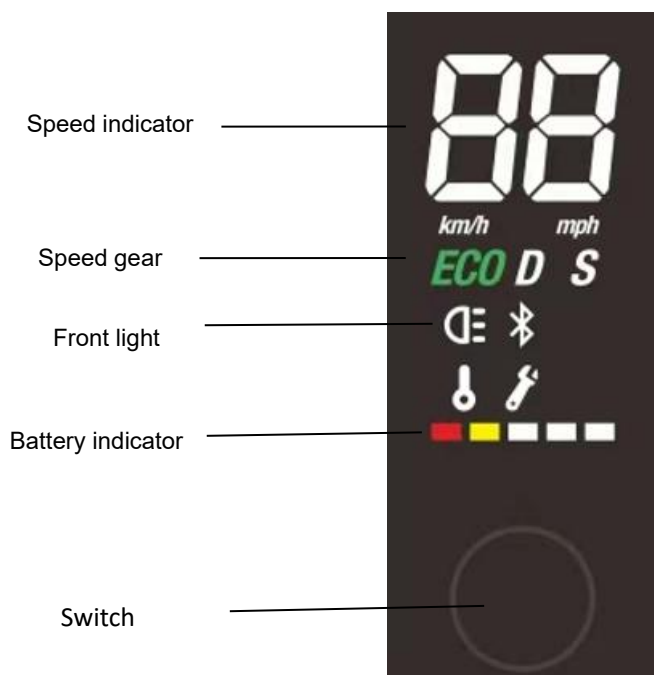


Gas-filled extension tube

## 2 Functions



### Display



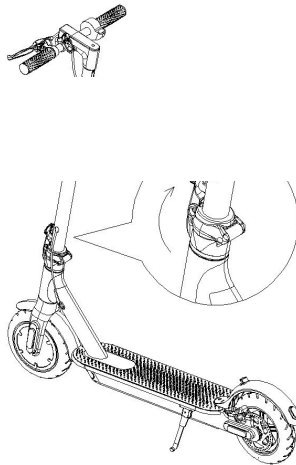
1. **Turn on/off:** Hold down the switch for 3 seconds to power the scooter on/off.
2. **Light Operation:** When the scooter is powered on, press the switch twice to activate the light, and press it twice again to deactivate it.
3. **To select the speed gear:** quick press the switch once. The different gears with their corresponding speeds are listed in the table as below:

Speed gear	Speed range
ECO	0-6 km/h
D	7-15km/h
S	16-20km/h

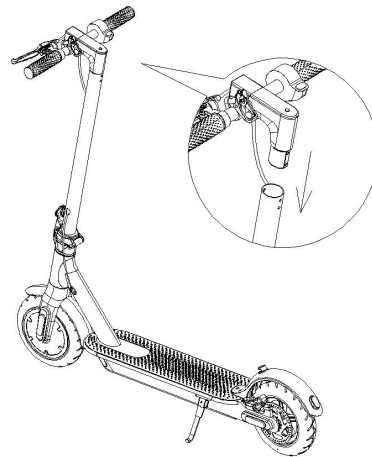
4. **Battery Indicator:** There are a total of 5 LEDs to display the battery level. When the scooter is fully charged, all 5 LEDs will be illuminated. Please recharge the scooter immediately if only 2 LEDs are illuminated.
5. **Press the brake lever:** the brake light will flashing.
6. **Auto cruise control:** Speed Cruise activated automatically after keeping the same speed for 10 seconds, then you can release the throttle; press brake lever or press again the throttle, scooter returns back to manual mode.
7. **Auto Power off:** After 10mins without any operation, it will be powered off automatically.

### 3 Assembling

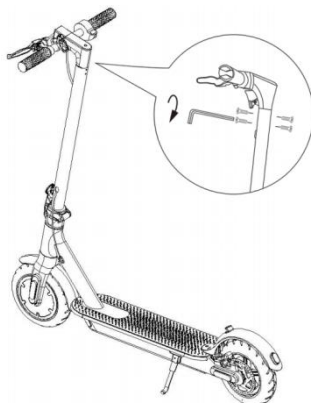
- 1) Lift the handlebar stem and lock it into place. Then put the kickstand down(Be careful with the handlebar).



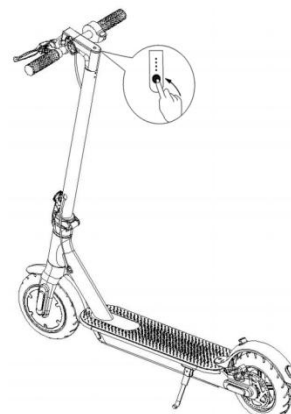
- 2) Attach the handlebar to the stem. Note: take care not damaging any cables.



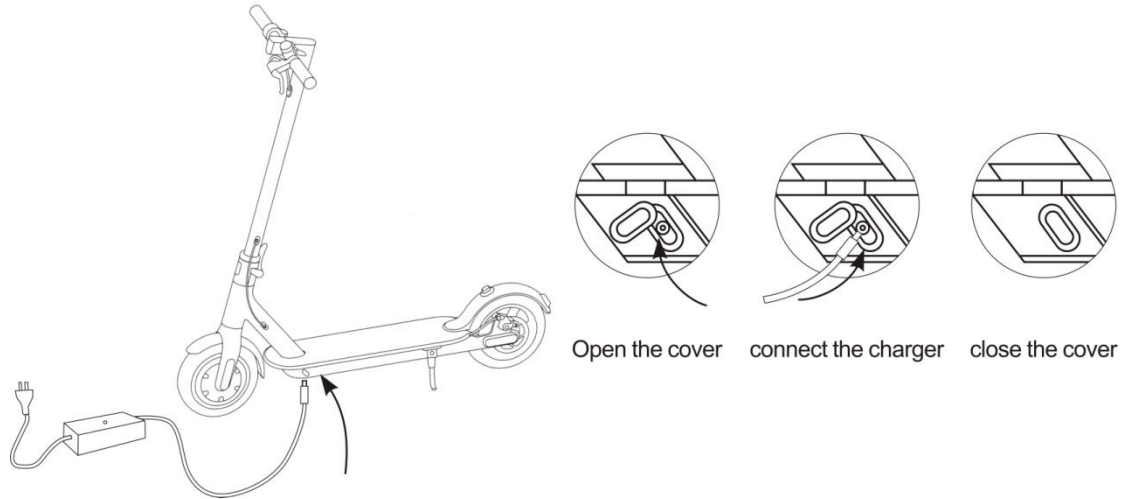
- 3) Use the screws and hex wrench provided to secure the handlebar.



- 4) Once you have completed the installation, turn on the product to verify that all functions are operational.



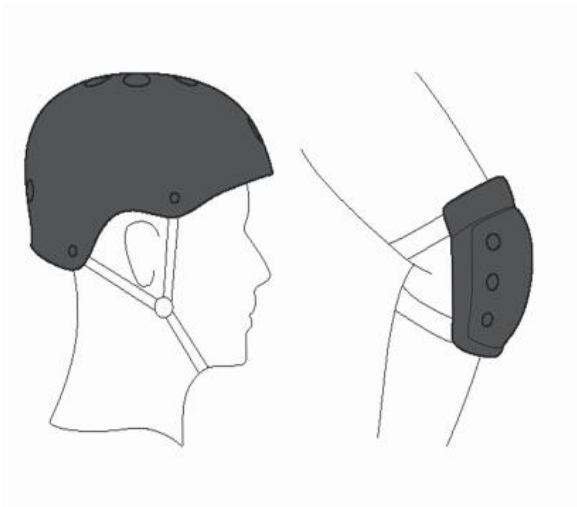
## 4 Charging scooter



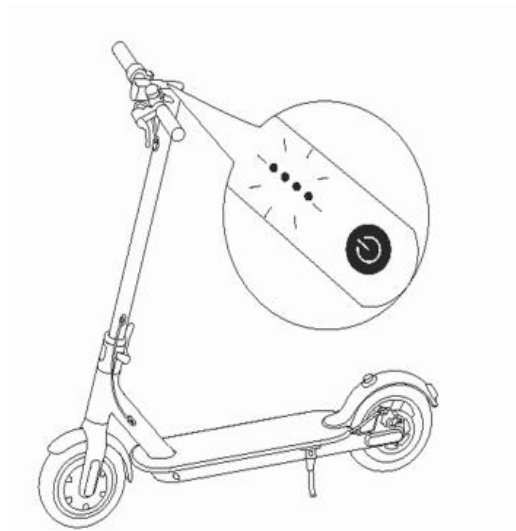
**ATTENTION: The red light on the power supply will turn green when charging is complete.**

## 5 Driving Instructions

1. Wear helmets and knee pads to prevent injuries in the event of any accidents while learning to ride the scooter.



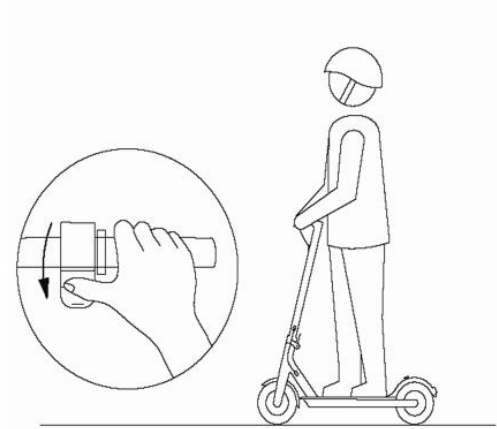
2. Turn on the scooter, and check the battery indicator.



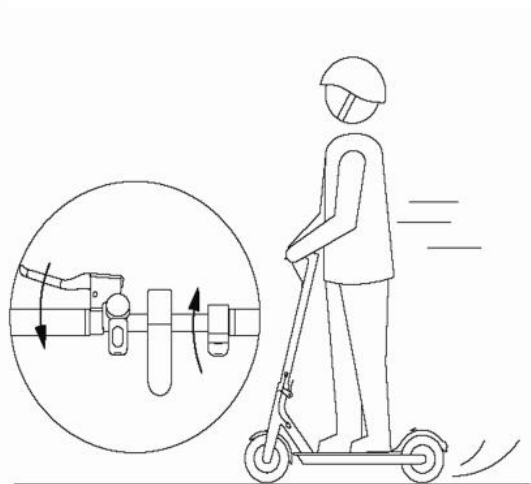
3. Stand on scooter platform with one leg, hit the ground with the other leg.



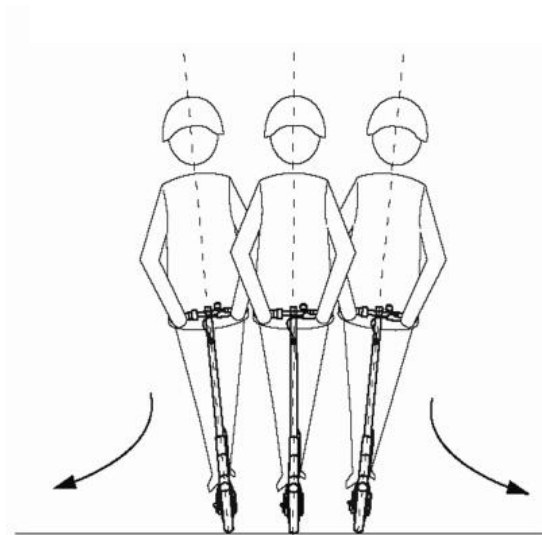
4. Step onto the scooter with the other leg once the scooter is in motion, then apply pressure to the throttle (only accelerate when the scooter's speed exceeds 3 km/h).



5. Release the throttle to slow down. The energy recovery systems will engage automatically to assist in slowing down. If you need to brake urgently, firmly press the left disc brake lever.



6. Lean your body slightly to the left to turn left, and lean your body slightly to the right to turn right. Additionally, turn the handlebar slowly in the corresponding direction.





## 6 Safety Instructions & Recommendations

### 6.1 Safety Instructions

1. The E-Series scooters are designed for one rider only. Do not carry passengers
2. Always wear a helmet and any other necessary protective gear.
3. Avoid riding on unsafe surfaces such as ice, oil, off-road terrain, or curbs
4. Before riding on public roads or sidewalks, practice in a traffic-free open area using gear level 1.
5. Keep both hands on the handlebar and both feet on the deck while riding. Do not jump onto the scooter.
6. Do not turn off the motor while riding.
7. Do not ride over gaps larger than 3 cm, or up/down curbs. This may cause injury or damage. Instead, carry the scooter over obstacles or road bumps.
8. Slow down when riding on rough or uneven surfaces. If the road becomes too bumpy, stop and walk the scooter.
9. Adjust the handlebar height to fit your body for a stable and comfortable ride
10. Avoid using the scooter in temperatures below  $-5^{\circ}\text{C}$ .
11. Do not ride through water puddles.
12. Avoid riding in rain, snow, or strong winds. If you must ride in these conditions, do not exceed 10 km/h.
13. If the scooter will not be used for one month or longer, charge the battery at least once a month. Do not store it fully charged or completely empty.
14. When unfolding the scooter, ensure the folding mechanism clicks securely into place and is tightened properly.
15. Never ride under the influence of alcohol or drugs. Even if no legal limit applies, you can still be charged based on the situation
16. Do not use the scooter if you notice looseness or slack in the folding mechanism or steering. Stop using it and get it adjusted immediately.
17. Do not ride with low tire pressure. This can damage the tires, tubes, and rims, and may cause injury. Punctures are not covered by warranty.
18. The scooter is a transport device, not a stunt vehicle. Do not attempt jumps or tricks.
19. Do not ride up or down stairs or similar obstacles.

## **6.2 Safety Recommendations**

### **1. Understanding Risks in Public Areas**

Electric scooters are primarily recreational devices, but when used in public spaces, they carry certain safety risks. Always remain aware of your surroundings and exercise caution to protect yourself and others.

### **2. Focus and Speed Management**

Higher speeds increase braking distances and the risk of accidents. Always maintain a safe speed, especially on unfamiliar or uneven terrain, and be prepared for sudden stops. Keep a safe distance from pedestrians, vehicles, and other obstacles.

### **3. Respecting Pedestrians**

Prioritize pedestrian safety at all times. Avoid startling them, particularly children. When passing, reduce speed and maintain proper distance. In right-hand traffic countries, try to move to the left when traveling in the same direction as pedestrians, and to the right when traveling in the opposite direction.

### **4. Adhering to Rules**

Follow your country's traffic laws and the instructions provided in this manual. Violations may lead to accidents, personal injury, legal issues, or financial consequences. Our company is not liable for any incidents resulting from failure to comply.

### **5. Responsible Sharing**

Do not lend your scooter to individuals unfamiliar with its operation. If others will use it, provide proper training and ensure they wear the recommended safety gear.

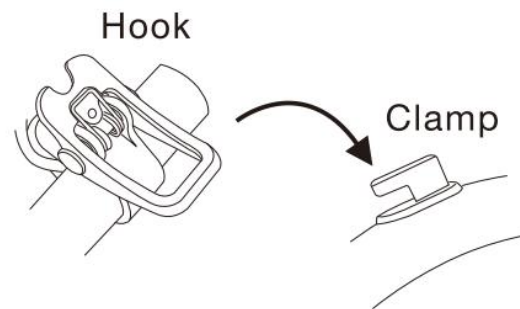
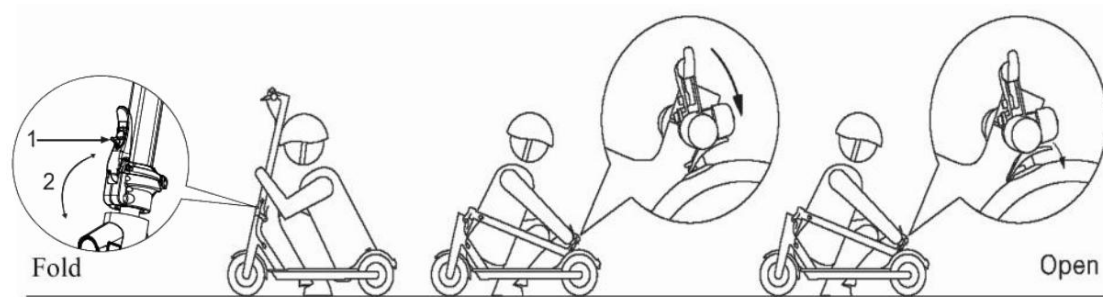
### **6. Regular Inspection and Maintenance**

Inspect your scooter before each ride. If you notice damage, unusual sounds, tire issues, battery problems, or any abnormal signs, stop using the scooter immediately and arrange for maintenance.

### **7. Staying Mindful and Prepared**

Always ride attentively, anticipate potential hazards, and adapt your speed and behavior to your surroundings. Careful and responsible riding helps prevent accidents and ensures a safe experience for both you and others.

## 7 Fold and Transportation



Ensure that the scooter is turned off.

To fold, push upwards on the small button (1) highlighted in the diagram above while simultaneously pulling the larger lever (2) towards you. This action will release the locking mechanism. Then, bend the handlebar stem to hook the clamp on the rear fender.

To unfold, press the hook located on the handlebar, then lift the handlebar stem up to a vertical position and lock the folding mechanism.



Always carry your scooter with one or both hands from the handlebar stem.



Portable rear fenders are prohibited for handling

## 8 Daily Maintenance and Storage

### 8.1 Clean and store Electric Scooter

1. Use a soft, damp cloth to clean any stains on the scooter body.
2. Do not use alcohol, petrol, kerosene, or other corrosive or volatile chemicals, as these can damage the scooter and its internal components.
3. Avoid washing the scooter under high-pressure water. Always ensure the scooter is turned off before cleaning.
4. After charging, reinsert the charging plug into the socket to prevent water entry and potential electric shock.
5. When not in use, store the scooter in a dry, cool place. Avoid leaving it outdoors for long periods, as direct sunlight, extreme heat, or very low temperatures can accelerate wear and reduce battery life.

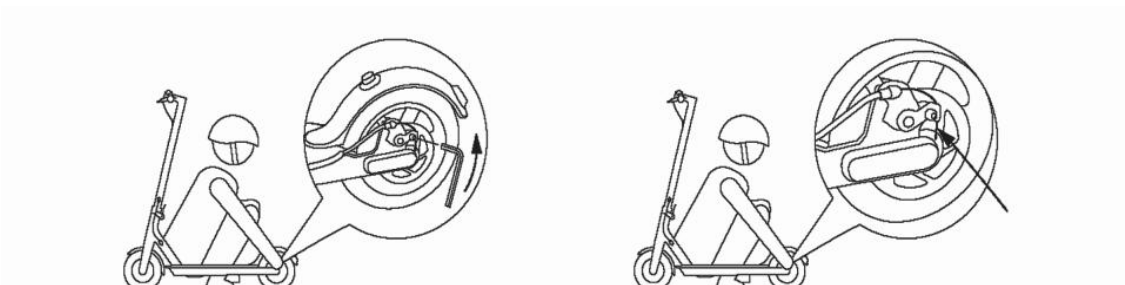
### 8.2 Maintenance of Electric Scooter battery

1. Use only the original battery supplied with your scooter. Do not replace it with other brands.
2. Do not open or disassemble the battery. Avoid contact with metal objects to prevent short circuits and injury.
3. Use the original AC adapter provided with the scooter to prevent accidents or fires.
4. Dispose of batteries properly in accordance with local regulations. Do not throw them with household waste.
5. After each ride, charge the battery to maintain performance. Ideally, keep it between 60–80% charge.
6. Do not store batteries in places where the temperature exceeds 50°C or drops below -20°C. Avoid placing the battery near fire. Extreme temperatures can damage or overheat the battery
7. If the scooter will not be used for 30 days or more, charge the battery and store it in a cool, dry place. Recharge every 60 days to avoid battery failure. Avoid fully discharging the battery to prolong its life.
8. Performance decreases in cold weather. At temperatures below 0°C, range and speed may drop. At -20°C, the range can be reduced by up to 50% compared to optimal conditions.
9. Standby time: A fully charged battery can last 60–180 days. The battery's smart chip tracks charging cycles; failure to charge for a long period may permanently damage the battery, which is not covered under warranty.

⚠ Caution: Do not allow unauthorized individuals to disassemble the scooter. There is a risk of electric shock or serious injury from short circuits.

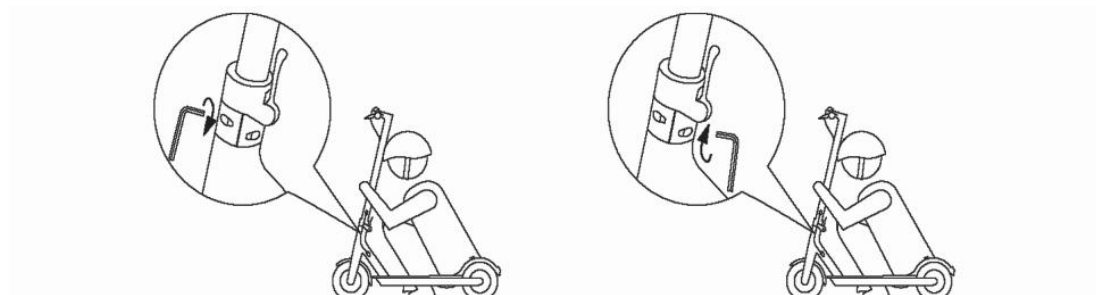
### Adjusting the disc brake

If the brake is too tight, use the supplied hex wrench to loosen the screws on the caliper. Then, slightly pull back the brake cable to shorten its length, and tighten the screws afterwards. If the brake is too loose, loosen the screws slightly and pull out the brake cable to lengthen it. Finally, tighten the screws once adjustments are made.



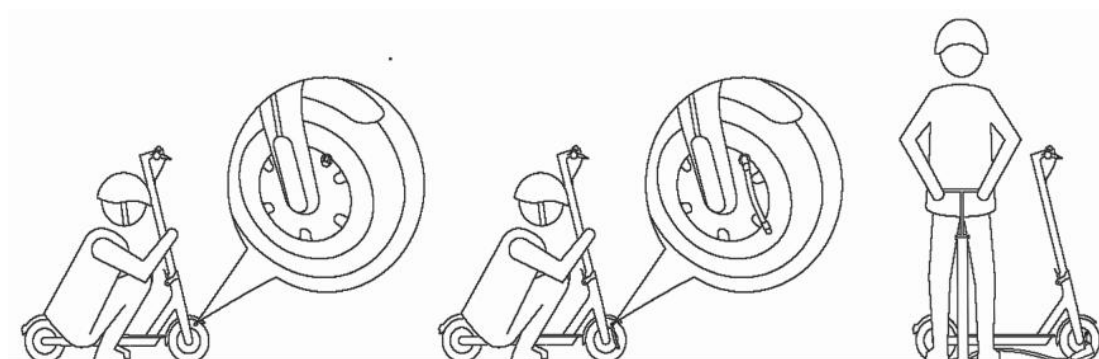
### Adjusting the handle bar

If the handlebar and its stem sway during riding, use the supplied hex wrench to tighten the screws on the folding mechanism.



### Using a connecting pipe to pump wheels

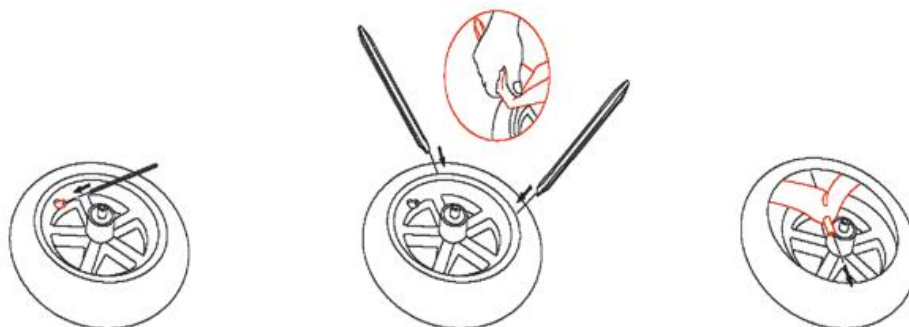
If the wheel of the Electric Scooter deflates, connect a connecting pipe to the wheel nipple to pump it. First, remove the cap from the pin, then tighten the fitting, and finally, begin pumping the wheel.



## 9 Tire Replacement

### 9.1 Remove the outer and inner tires

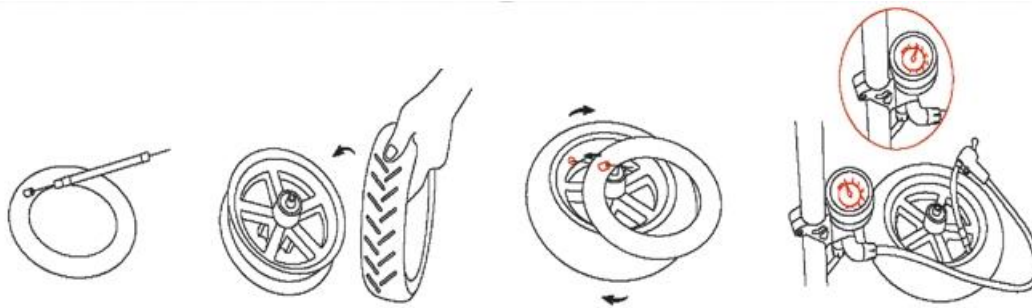
**Note: Crowbars not included, and should be purchased separately.**



1. Deflate the inner tire first. Use a tool to press the core rod in the air valve so that air is discharged from the inner tire. Then, with another hand, forcibly pinch the tire at different places to release more air.
2. Select a position far from the air valve on the outer tire, use two crowbars to pry up the outer tire by about 1/6 of the circumference, and forcibly separate one side of the outer tire from the hub.
3. Find the air valve and pull it out of the air valve hole in the hub. To pull out the air valve more conveniently, hold the air valve of the inner tire, and pull the outer tire outwards slowly to prevent damage to the inner tire. Remove the inner tire from the position of air valve in sequence and separate the inner tire finally.

**Note: Wrap the pointed end of the crowbar with fiber cloth to avoid damaging the inner tire and the hub's coating.**

### 9.2 Install the outer and inner tires



1. Fill a small amount of air into the deflated inner tire until the inner tire is just bulged to appear round.
2. Place the hub on top of a desk. Pay attention to the direction when installing the outer tire. There is an arrow on the outer tire, and it must align with the forward direction of the wheel. Hold the hub with one hand and use the other hand to insert one side of the outer tire into the hub groove.
3. Insert the air valve of the inner tire into the air valve hole. Insert the inner tire into the outer tire clockwise and in sequence, ensuring that the air valve does not tilt. Then, insert the other side of the outer tire into the hub groove. Finally, use a crowbar to install the remaining tire lips into the hub groove. After installation, pinch the outer tire to check if the inner tire is pressed by the tire lips of the outer tire
4. Inflate the inner tire to 15-20 PSI, and check the safety lines on both sides of the outer tire. Ensure that the distances from the safety lines to the hub edge are consistent.
5. Finally, inflate the inner tire to 45-50 PSI. Tighten the air valve cap. With that, the tire assembly is completed.

**Note: Wrap the pointed end of the crowbar with fiber cloth to prevent damage to the inner tire and the coating of the hub.**

## 10 Specifications

Operating Parameters	Name	Parameters
<b>Dimensions</b>	Unfold: Length x Width x Height	108*47,5*120cm
	Folded: Length x Width x Height	108*47,5*55,5cm
<b>Weight</b>	Net Weight	Flex 12,35kg, Flex Solid 13,15kg, Flex LR 12,85kg
	Gross weight	Flex 15,15kg, Flex Solid 15,95kg, Flex LR 15,65kg
<b>Conditions</b>	Max load	120kg
	Age	12-50 years old
	Height	120-200cm
<b>Main Parameters</b>	Max speed	20 km/h (varies according to soil and weight)
	Range	**Flex, Flex Solid: 25-30km, Flex LR: 32-38km
	Maximum slope	About 11%
	Suitable area	Cement, asphalt and muddy roads, platforms less than 1cm, surface with cracks less than 2cm wide
	Operating temperature range	-10-40°C
	Temperature of storage	-20-45°C
	Waterproof level	IPX4
<b>Battery Parameters</b>	Rated voltages(VDC)	36V
	Max voltage of charging(VDC)	42V
	Rated power	Flex & Flex Solid 280,8Wh, Flex LR 360Wh
	Smart battery management system	Abnormal temperature management, short circuit, automatic back-up, over-voltage, double overload, double protection
<b>Motor Parameters</b>	Rated power	250W
<b>Charger Parameters</b>	Rated power	63W
	Rated input voltage(VAC)	100-240V
	Rated output voltage(VDC)	42V
	Rated current	1.5A / 2.0A
	Charging time(h)	About 5-8 hours

\*\*Varies according to Speed, Soil and Weight



Made in China